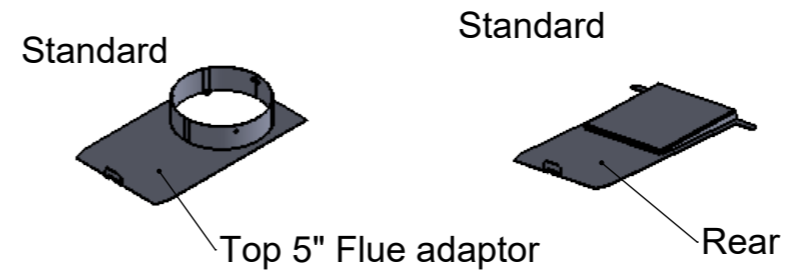
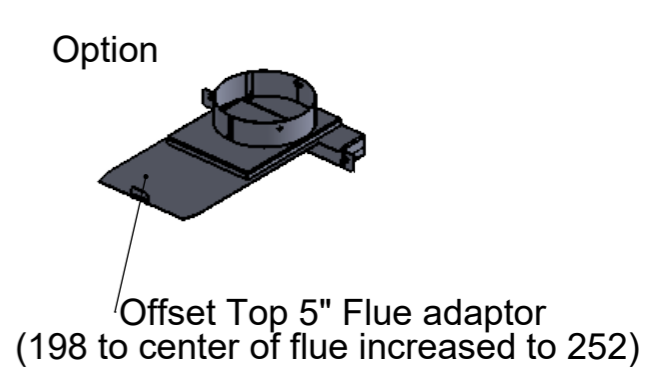


Base Mounting Tray Option

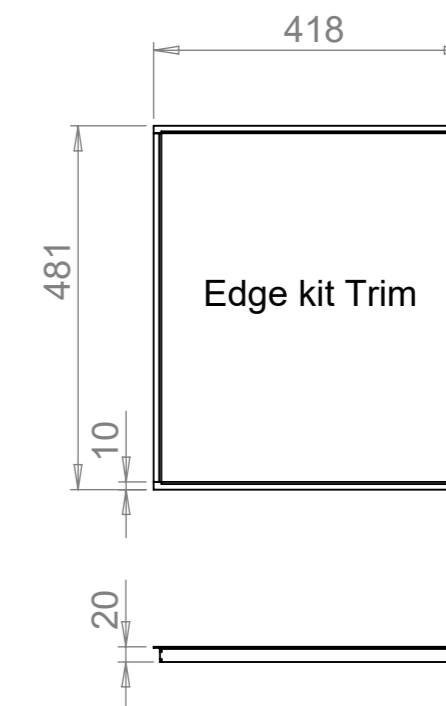
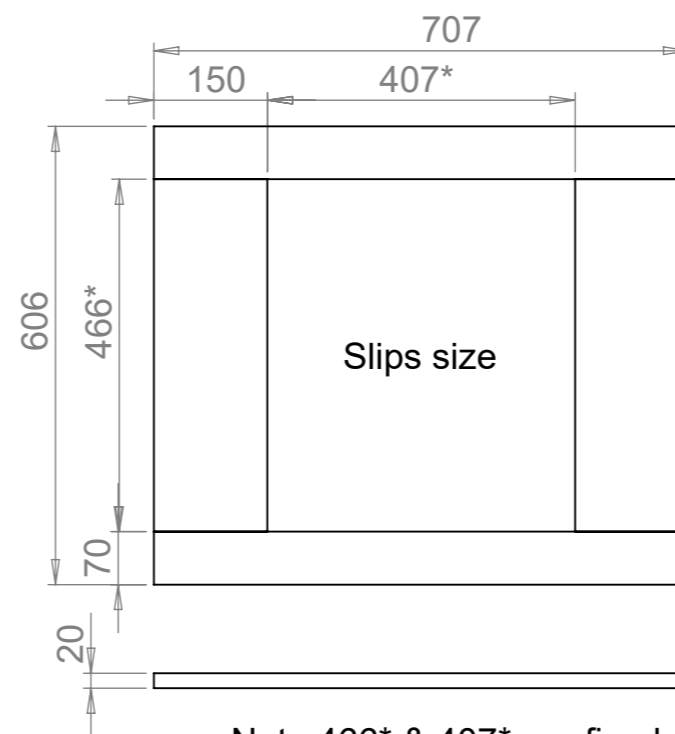
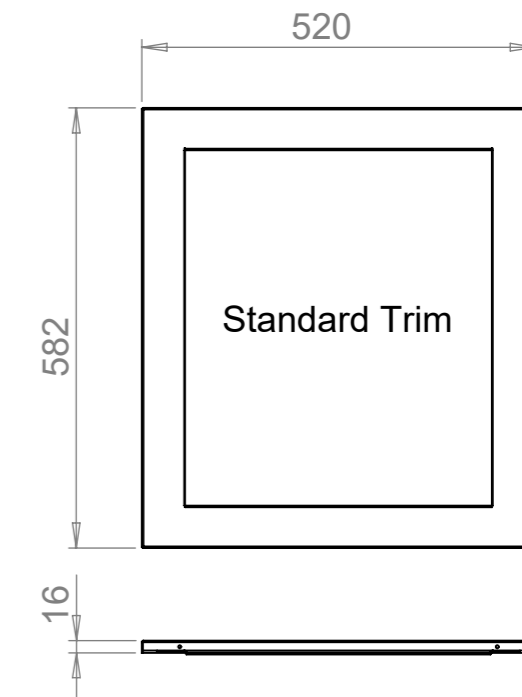
Liner option	Fuel bed option	Flue Option	Trim Option
Beige	Logs	Top	Standard Black
Black		Rear	Standard Grey
Brick		offset Top	Edge Kit
			Slips Kit
			Stove Surround
			Log store



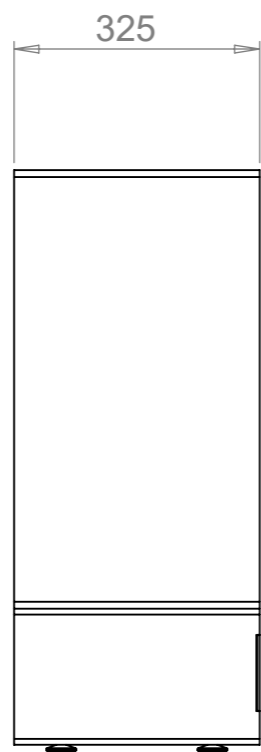
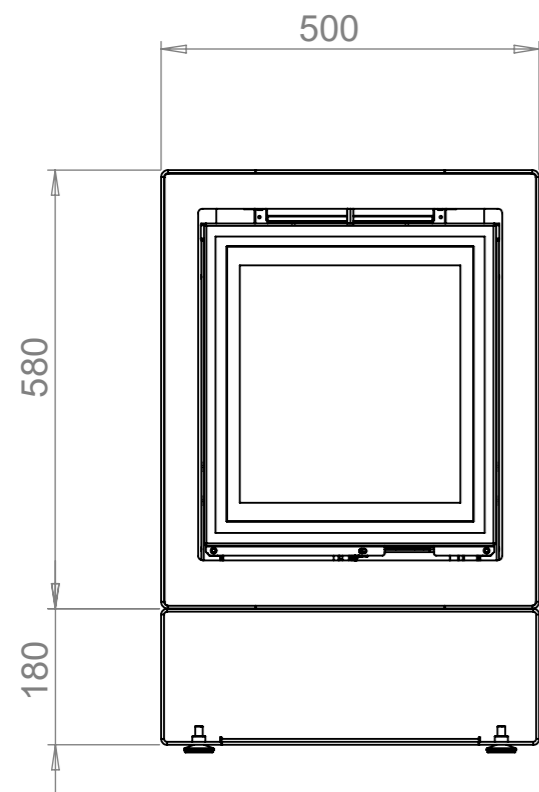
Flue Options



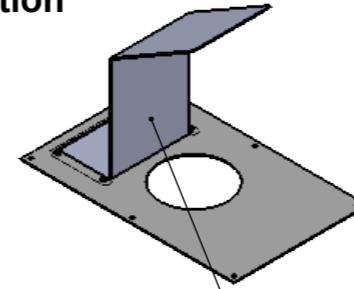
Trim Options



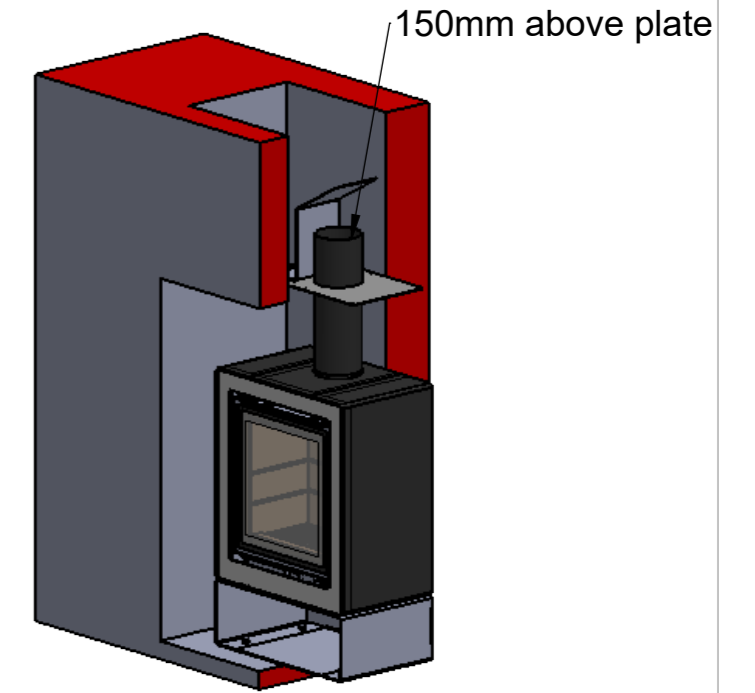
Note 466* & 407* are fixed minimum dimensions



Option



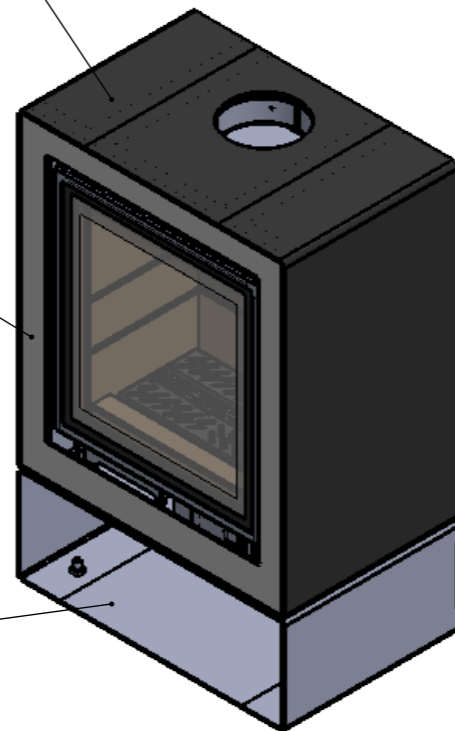
Inglenook debris deflector plate
Approved to BS7977-1:2009



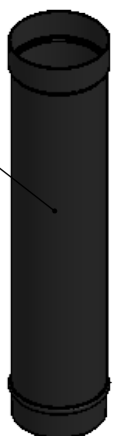
Stove surround

Stove surround fascia

Log Store



Flue Pipe



Recommended Flue pipe for stove
5"(125mm) Univit vitreous enamelled flue pipe
Available from Docherty's for details see
www.docherty.co.uk/product_literature/sales/univit.pdf

MATERIAL: N/A	FINISH: N/A	TOLERANCES: (unless otherwise stated) DIMN.S 0 - 10mm ±0.2mm BENDS ± 1.5° DIMN.S >10 - 100mm ±0.4mm ANGLES ± 2° DIMN.S >100 - 1000mm ±0.8mm DIMN.S >1000mm ±1.5mm	REMOVE ALL BURRS & SHARP EDGES	ALL DIMENSIONS ARE MM Third angle projection DO NOT SCALE If in doubt ask	Legendfires Unit 404, Glenfield Park Business Centre, Philips Road, Blackburn Lancashire BB1 5QH Tel. 01254 695244 Fax. 01254 695255 Web: www.legend-fires.com e-mail: info@legend-fires.com	Revisions <table border="1"> <tr> <th>Rev.</th> <th>Change Detail</th> <th>Date</th> <th>Approved</th> </tr> <tr> <td>A</td> <td>Original Issue</td> <td>26/06/2015</td> <td>B.D.W.</td> </tr> </table>	Rev.	Change Detail	Date	Approved	A	Original Issue	26/06/2015	B.D.W.	Project: Ethos 400 Title: Ethos 400 Assembly Drawing Number: 2013334	Sheet 2 OF 2 Rev: A A3
Rev.	Change Detail	Date	Approved													
A	Original Issue	26/06/2015	B.D.W.													
DRAWN: B.D.Waring	DATE: 26/06/2015	SCALE: 1:5														
CHECKED: R.massey	DATE: 26/06/2015															